

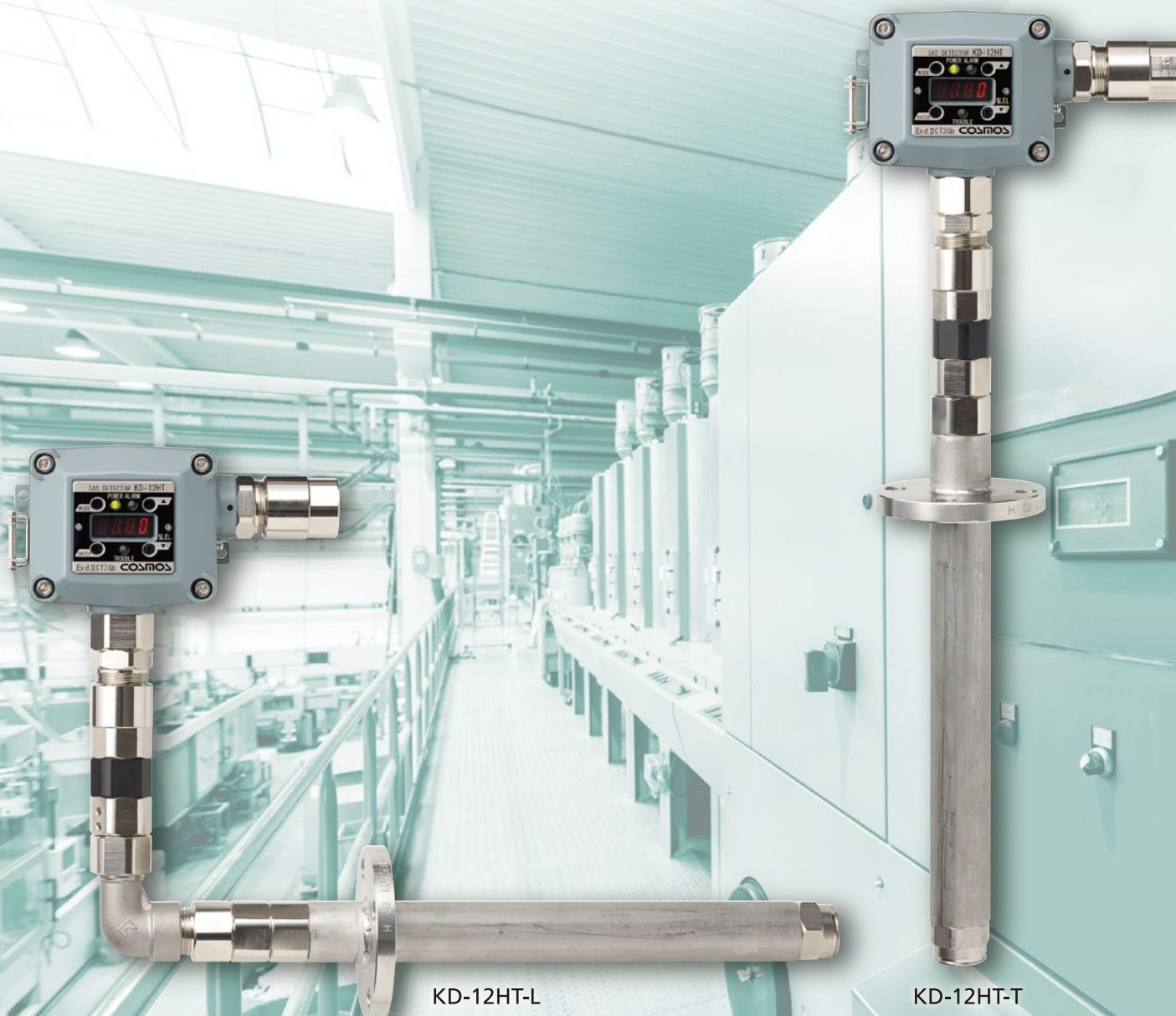
Be sure, be safe.

COSMOS

GAS DETECTOR FOR USE IN FURNACE

KD-12HT

Direct detection of high boiling point solvent
in the drying furnace



KD-12HT-L

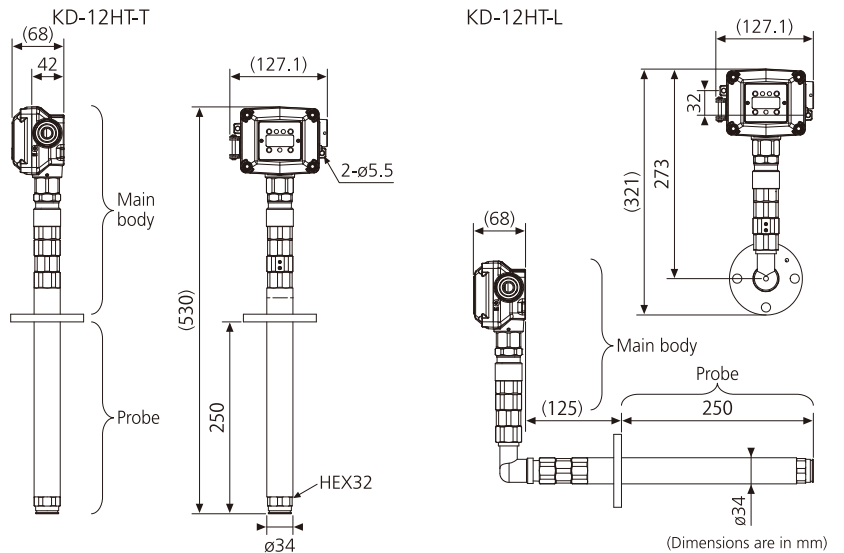
KD-12HT-T



Features

- **Reliable gas concentration measurement inside a heated area (e.g., furnace)**
- **Sensor unit and probe able to withstand up to 160°C environment**
- **Can easily see the gas concentration and alarm status on the display at a glance**
- **Can make various adjustments on-site with a single magnetic stick**
- **Display face can turn to left/right direction up to 90 degrees**
- **Available in two models: Straight (KD-12HT-T) and L-shaped (KD-12HT-L)**

Dimensions



Specifications

Model	KD-12HT-T	KD-12HT-L
Detection Principle	Catalytic sensor	
Target Gas	N-Methyl-2-Pyrrolidone (NMP)	
Sampling Method	Diffusion	
Detection Range	0-100%LEL	
Alarm Set Value	As per delivery specifications	
Alarm Accuracy	±25% of alarm set value	
Alarm Delay	Less than 30 seconds with a gas concentration that is 1.6 times higher than the alarm set concentration	
Alarms	•During gas alarm (single stage only), the red ALARM LED blinks. •During trouble alarm in the event of sensor disconnection, zero drift, power supply voltage error, internal EEPROM communication error, the amber TROUBLE LED blinks.	
Display	4-digit seven segment LED display	
Output	Gas concentration analog signal •4-20 mA DC (common negative with power supply) •0.9 mA or less in the event of trouble alarm •Load resistance of the analog signal line, including the resistance of the wire, is not more than 300 ohm	Gas alarm contact (single stage only) •Normally open or normally closed dry contact *1 ; automatic resetting Normally energized or normally de energized *1 ; •Max. load: 0.5 A resistive at 250 VAC or 0.5 A resistive at 30 VDC
Explosion-proof	ATEX/UKEX: Ⓜ II 2 G Ex db IIC T3 Gb IECEx: Ex db IIC T3 Gb	
Approvals	EU type examination certificate: CML 21ATEX1411X UK type examination certificate: CML 22UKEX1374X IECEx certificate No.: IECEx CML 21.0055X	
Harmonised/Designated Standards	EN IEC 60079-0:2018 EN 60079-1:2014 IEC 60079-0:2017 Edition 7.0 IEC 60079-1:2014 Edition 7.0	
Applicable Cable	Cable outer diameter: 10 mm to 13 mm •5-wire CCV-S cable (power, a nalog signal and relay contact) Wire size: 1.25 mm ² •3-wire CCV-S cable (power and analog signal) Wire size: 1.25 mm ² or 2 mm ²	
Operating Temperature/Humidity	Main body: -10 to 50 °C Probe: 0 to 160 °C 10% to 90% RH at 0 to 50 °C No sudden temperature or humidity changes. No condensation	
Power Supply	24 VDC (18 to 30 VDC)	
Power Consumption	1.5 W during normal operation (Max. 3 W)	
Dimensions	W127 x H530 x D68 mm (Excluding protruding parts and including probe) Probe size inside the furnace: Dia.34 x 250 mm Flange size: 25A or 50A	W127 x H321 x D443 mm (Excluding protruding parts and including probe) Probe size inside the furnace: Dia.34 x 250 mm Flange size: 25A or 50A
Weight	Approx. 3.6 kg with 25A flange Approx. 4.2 kg with 50A flange	Approx. 4.1 kg with 25A flange Approx. 4.9 kg with 50A flange
Mounting method	Using a flange	

-The above specifications are subject to change without notice. -If your specifications are nonstandard, refer to the delivery specifications. *1 Specified at the time of order.

NEW COSMOS ELECTRIC CO., LTD.

NEW COSMOS ELECTRIC CO., LTD. [Overseas Business Division]

2-6-2 Hamamatsu-cho, Minato-ku, Tokyo 105-0013 JAPAN
TEL. +81-3-5403 2715 Email. e-info@new-cosmos.co.jp
URL. www.newcosmos-global.com

NEW COSMOS ELECTRIC (SHANGHAI) CO., LTD.

4th Plant No.385, Dongxing Road, Songjiang Industrial Zone, Shanghai, China 201613
TEL. +86-21-6774 3138 Email. info@new-cosmos.com.cn
URL. new-cosmos.com.cn

NEW COSMOS ELECTRIC KOREA CO., LTD.

805-806, 10, Seongnam-daero 43beon-gil, Bundang-gu, Seongnam-si, Gyeonggi-do, Republic of Korea
TEL. +82-31-703-3102 Email. info@new-cosmos.co.kr
URL. www.new-cosmos.co.kr

New Cosmos USA, Inc.

650 Warrenville Road, Suite 101, Lisle, IL 60532, USA
TEL. +1-847-749 3064
URL. www.denovadetect.com

NEW COSMOS-BIE B.V.

Maxwellstraat 7, NL-1704 SG, Heerhugowaard, The Netherlands
TEL. +31-72-576 5630 Email. sales@newcosmos-europe.com
URL. www.newcosmos-europe.com

NEW COSMOS ELECTRIC CO., LTD. [Taiwan Office]

8F, No.419, Sec.2, Gongdao 5th Road, Hsinchu city, Taiwan 30070
TEL. +886-3-574 4593 Email. cosmost1@ms75.hinet.net

NEW COSMOS ELECTRIC CO., LTD. [Thailand Office]

4345 Bhiraj Tower at BITEC, 23rd Floor, Unit. 23090, Sukhumvit Rd., South Bangna, Bangna, Bangkok 10260 Thailand
TEL. +66-95-558-5067



SAFETY WARNING

Carefully read the instruction manual prior to use.
Select and use the device designed to detect the required type of gas. Use of a wrong sensor type may cause an accident.